

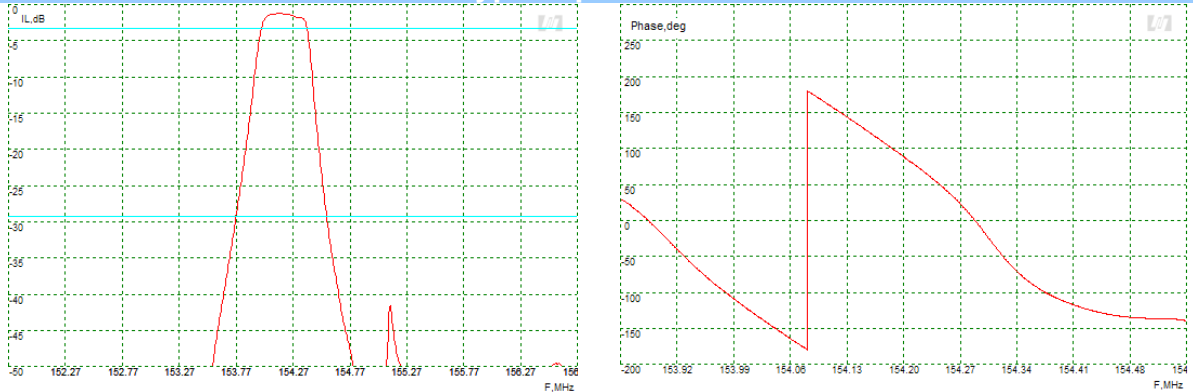
# Narrowband SAW 154.2 MHz Filter

**Bandwidth 0.38 MHz**

**Part Number A277-154.2M2**

PRELIMINARY DATA

## Typical performance



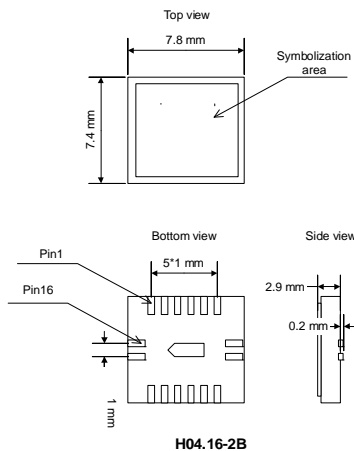
## Specifications

Parameter	Unit	Min	Typ	Max
Central frequency	MHz	154.18	154.2	154.22
Inserted loss (unmatched)	dB		1.9	-
Bandwidth @-2dB	MHz	0.38	-	-
Bandwidth @-30dB	MHz	-	1	-
Amplitude ripple	dB	-	1.0	-
Ultimate rejection (100-153.5MHz, 160-300MHz)	dB	-	-50	-
Substrate			112 LTO	
Temperature range	°C	-5	-	+40

### Notes:

1. The design, manufacturing process, and specifications of this filter are subject to change.
2. Specification valid for measurements in AEC test fixture

## Case



## Matching

