

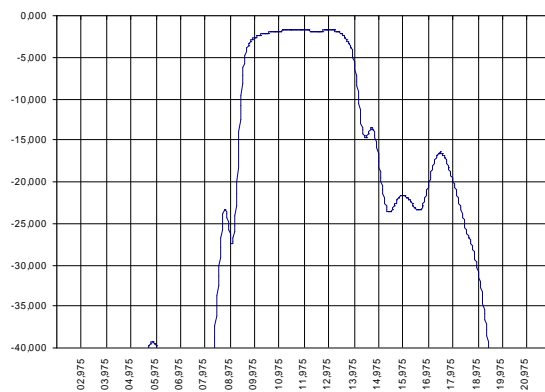
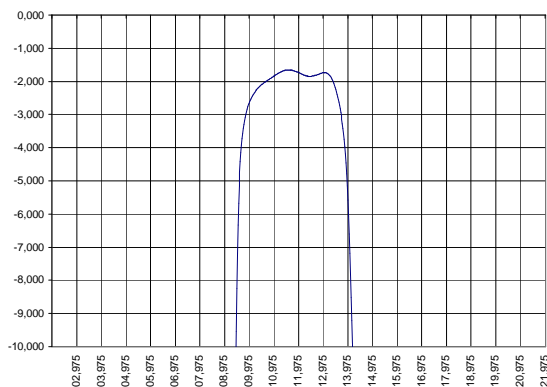
# Low Loss SAW 112 MHz Filter

Bandwidth 4 MHz

Part Number A195-112M1

PRELIMINARY DATA

## Typical performance



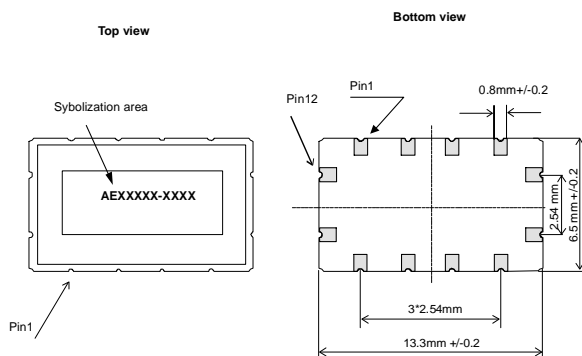
## Specifications

Parameter	Unit	Min	Typ	Max
Central frequency	MHz	111.8	112	112.2
Inserted loss (unmatched)	dB	-	1.5	-
Bandwidth @ -2dB	MHz	-	4.0	-
Bandwidth @ -35dB	MHz	-	11	-
Substrate			64LNO	
Temperature range	°C	-25		75

### Notes:

1. The design, manufacturing process, and specifications of this filter are subject to change.
2. Specification valid for measurements in AEC test fixture

## Case



## Matching

