

# Low Loss SAW 683.55MHz Filter

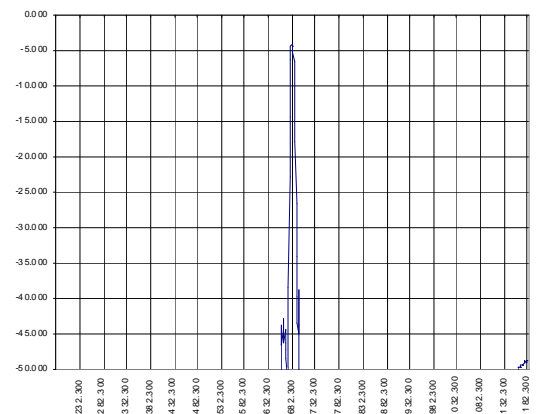
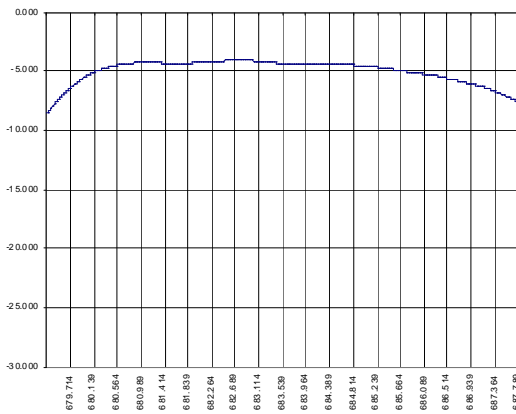
Bandwidth 8.2 MHz

Part Number A151-683.55M1

Complies with Directive 2002/95/EC (RoHS)

PRELIMINARY DATA

## Typical performance



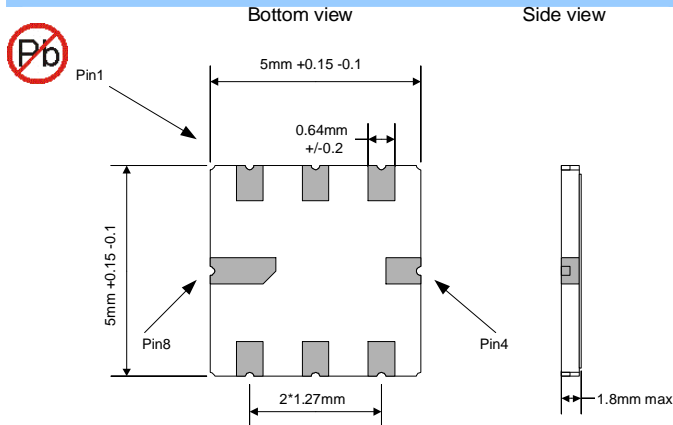
## Specifications

Parameter	Unit	Min	Typ	Max
Central frequency	MHz	683.30	683.55	683.80
Inserted loss (unmatched)	dB	3.5	4	4.5
Bandwidth @-3dB	MHz	7.8	8.2	8.6
Bandwidth @-33dB	MHz	16.6	17.1	17.6
Amplitude ripple (in bandwidth 5 MHz)	dB	-	0.7	1
Ultimate rejection	dB	-	60	-
Substrate			36LTO	
Temperature range	°C	-55		85

### Notes:

1. The design, manufacturing process, and specifications of this filter are subject to change.
2. Specification valid for measurements in AEC Design test fixture

## Case



## Matching

