

# SAW 20 MHz Filter

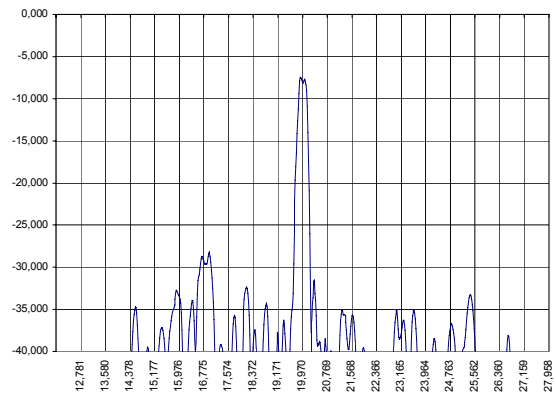
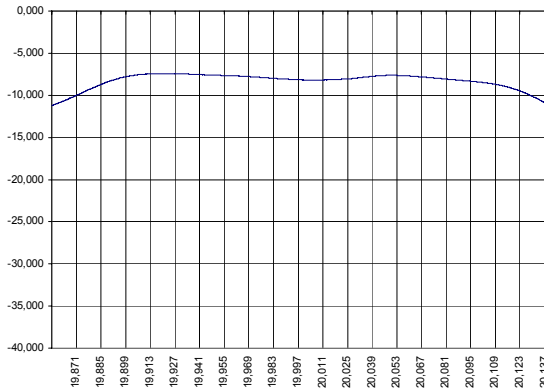
Bandwidth 0.2 MHz

AEC Part Number A109-20M1

Complies with Directive 2002/95/EC (RoHS)

PRELIMINARY DATA

## Typical performance



## Specifications

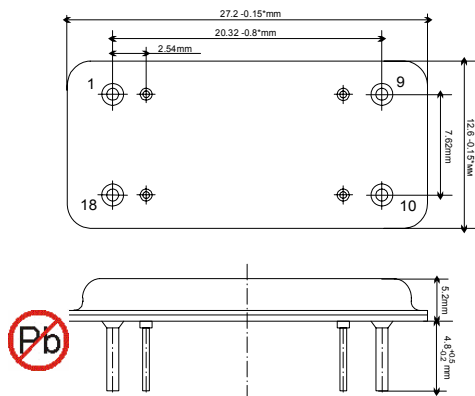
Parameter	Unit	Min	Typ	Max
Central frequency	MHz	19.95	20	20.05
Inserted loss (matched)	dB	6.5	7.3	8.5
Bandwidth @-2dB	MHz	0.2	0.21	0.22
Bandwidth @-20dB	MHz	0.5	0.52	0.55
Amplitude ripple	dB	-	1	1.5
Ultimate rejection	dB	-	-25.0	-
Substrate			128 YX LiNbO3	
Temperature range	°C	-55		85

### Notes:

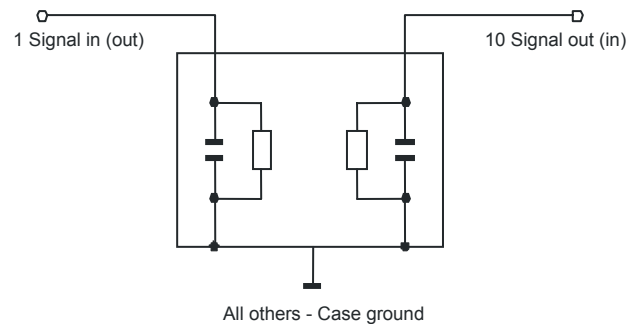
1. The design, manufacturing process, and specifications of this filter are subject to change.
2. Specification valid for measurements in AEC test fixture

## Case

DIP 18



## Matching



Input/output matching: series capacitor 65-75 pf and parallel inductor 978 nH at input port, series capacitor 65-75 pf and parallel inductor 540 nH at output port