

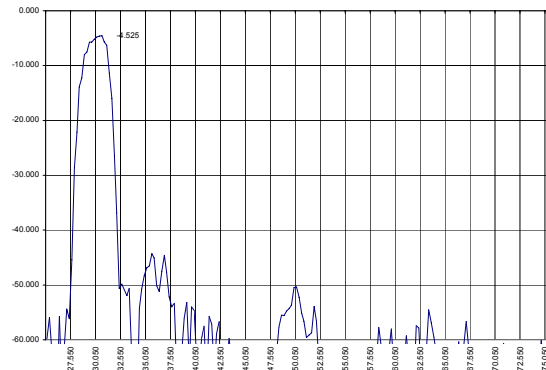
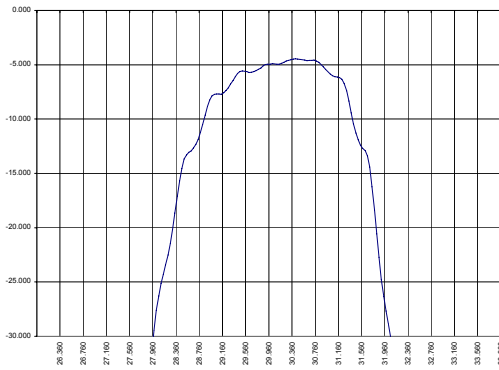


Low Loss SAW 30.00 MHz Filter Bandwidth 2.1 MHz

AEC Part Number A088-30M2

PRELIMINARY DATA

Typical performance



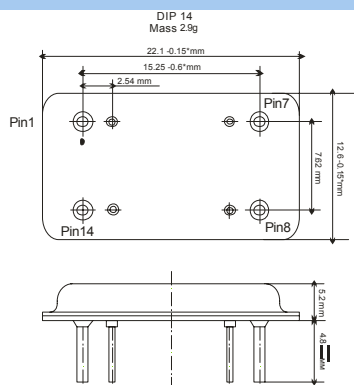
Specifications

Parameter	Unit	Min	Typ	Max
Central frequency	MHz	29.90	30.00	30.10
Inserted loss	dB	-	4.5	5.0
Bandwidth @-2dB	MHz	2.0	2.1	2.3
Bandwidth @-30dB	MHz	-	4.3	-
Bandwidth @-40dB	MHz	-	4.5	-
Amplitude ripple	dB	-	0.6	1.0
Ultimate rejection	dB	40.0	50.0	-
Substrate		-	128LNO	-
Temperature range	°C	-55.0		85.0

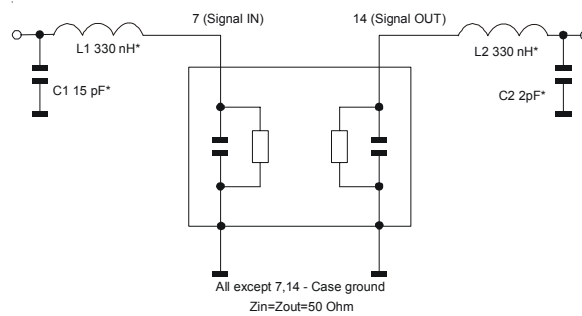
Notes:

1. The design, manufacturing process, and specifications of this filter are subject to change.
2. Specification valid for measurements in AEC test fixture

Case



Matching



Note: capacitors and inductors depended on PCB layout