

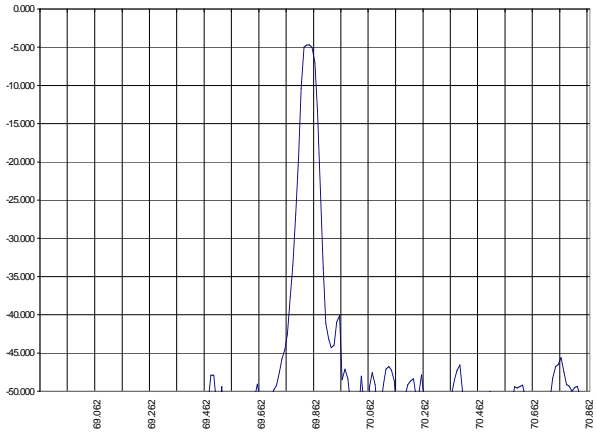
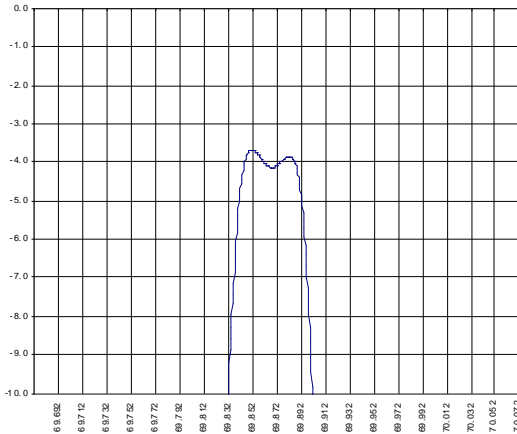
# Low Loss SAW 69.872 MHz Filter

**Bandwidth 0.04 MHz**

**Part Number A060-69.872M2**

PRELIMINARY DATA

## Typical performance



## Specifications

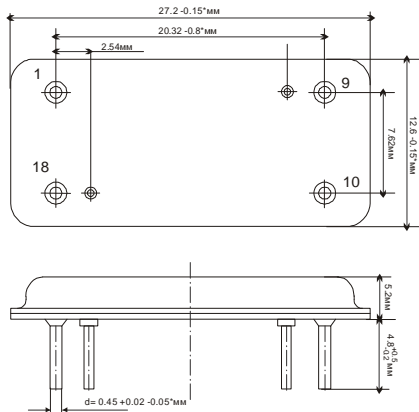
Parameter	Unit	Min	Typ	Max
Central frequency	MHz	69.869	69.872	69.875
Inserted loss (unmatched)	dB	-	4.0	5.0
Bandwidth @-2dB	MHz	0.03	0.04	0.05
Bandwidth @-30dB	MHz		0.2	
Amplitude ripple	dB		1	
Ultimate rejection	dB		-60	
Substrate			37YX quartz	
Temperature range	°C	-55		85

### Notes:

1. The design, manufacturing process, and specifications of this filter are subject to change.
2. Specification valid for measurements in AEC Design test fixture

## Case

Kopnyc DIP 18  
Масса 3,5г



## Matching

