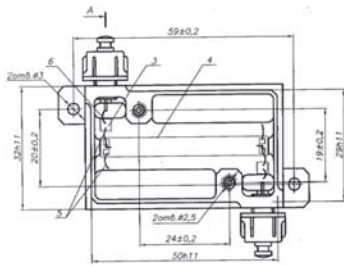


# SAW 120 MHz Delay Line

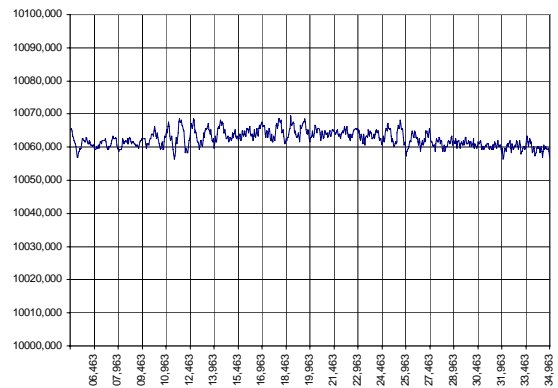
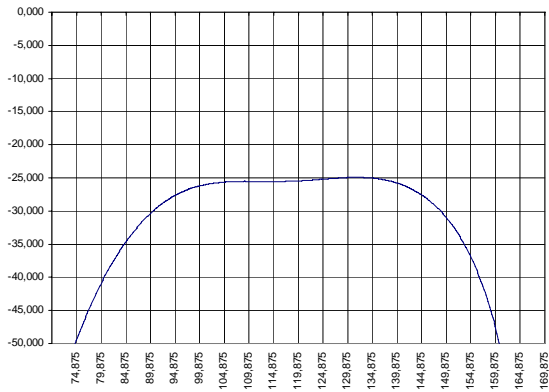
Part Number A283-120M1

Complies with Directive 2002/95/EC (RoHS)

PRELIMINARY DATA



## Typical performance



## Specifications

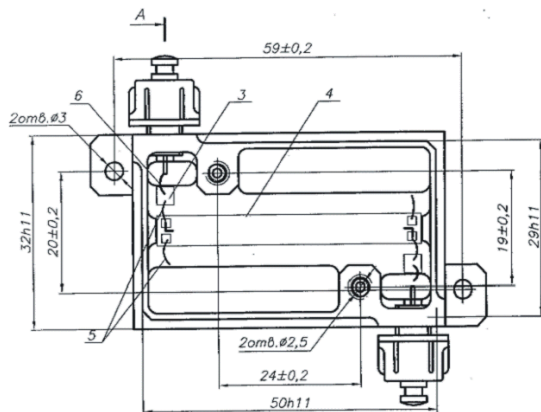
Parameter	Unit	Min	Typ	Max
Central frequency	MHz	119.5	120	120.5
Inserted loss (unmatched)	dB	24	25	26
Bandwidth @-3 dB	MHz	50	51	52
Amplitude ripple @ entire BW	dB	-	3	-
Delay Time	mksec	-	10.065	-
Group delay variation	nsec	-	11	14
Substrate		-	128LNO-black	-
Temperature range	°C	-25	-	75

### Notes:

1. The design, manufacturing process, and specifications of this filter are subject to change.
2. Specification valid for measurements in AEC test fixture

## Case

## Matching



No Matching