



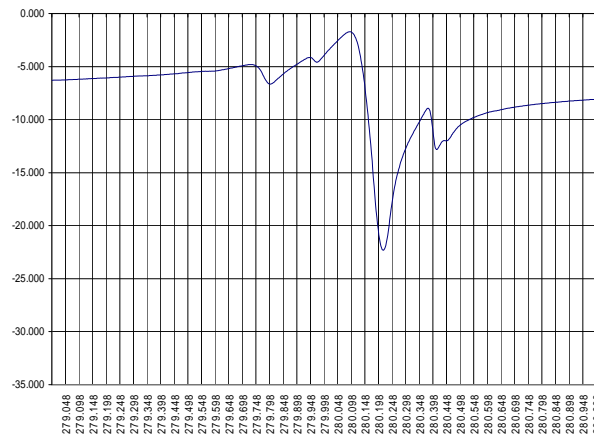
SAW VCO 280 MHz Resonator

Q 2200

Part Number A274-280M2

PRELIMINARY DATA

Typical performance



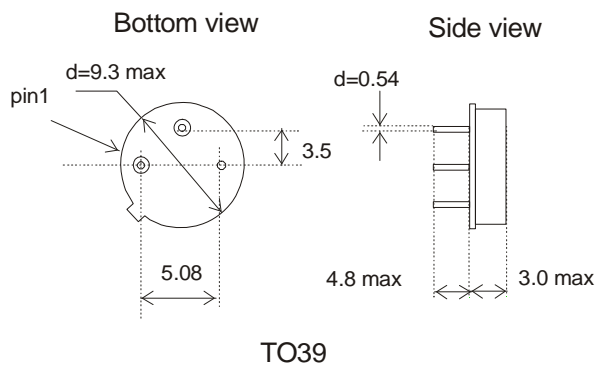
Specifications

Parameter	Unit	Min	Typ	Max
Central frequency	MHz	279.90	280.00	280.10
Unmatched IL (s21 between 50 Ohm In/Out)	dB	-	1.9	2.2
Loaded Q		-	2200	2500
Substrate		-	37Quartz	-
Temperature range	°C	-20	22.5	85

Notes:

1. The design, manufacturing process, and specifications of this filter are subject to change.
2. Specification valid for measurements in AEC Design test fixture

Case



Matching

