



SAW 58.91MHz Filter

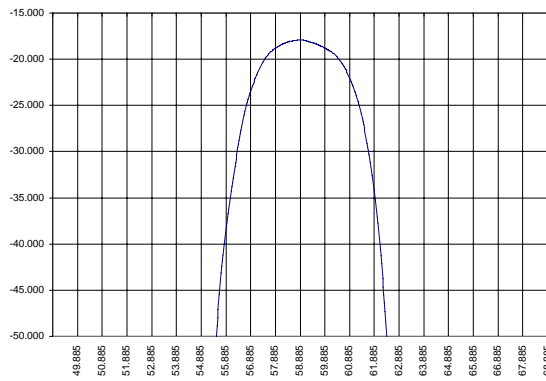
Bandwidth 2.1 MHz

AEC Part Number A191-58.91M1

Complies with Directive 2002/95/EC (RoHS)

PRELIMINARY DATA

Typical performance



Specifications

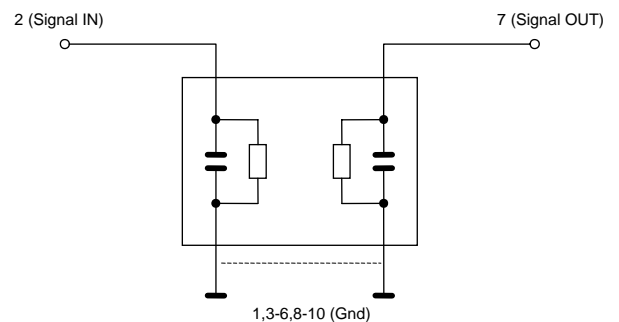
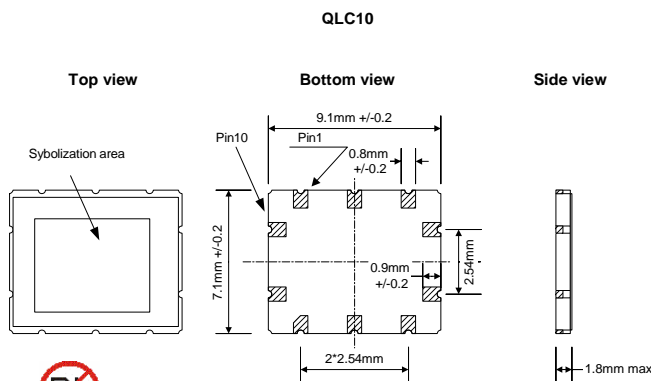
Parameter	Unit	Min	Typ	Max
Central frequency	MHz	58.81	58.91	59.01
Inserted loss (matching)	dB	17.8	18	-
Bandwidth @-1dB	MHz	-	2.1	2.2
Bandwidth @39dB	MHz	7.2	7.3	7.4
Amplitude ripple	dB	-	0.5	0.7
Delay variation	nsec	13	18	-
Ultimate rejection	dB	58.0	45.0	-
Substrate			112 LTO	
Temperature range	°C	-55		85

Notes:

1. The design, manufacturing process, and specifications of this filter are subject to change.
2. Specification valid for measurements in AEC test fixture

Case

Matching



Matching: series inductor 220 nH and parallel capacitor 10-40 pF at input port , series inductor 238 nH and parallel capacitor 2-20 pF at output port