



1532.15 MHz 2 port Resonator

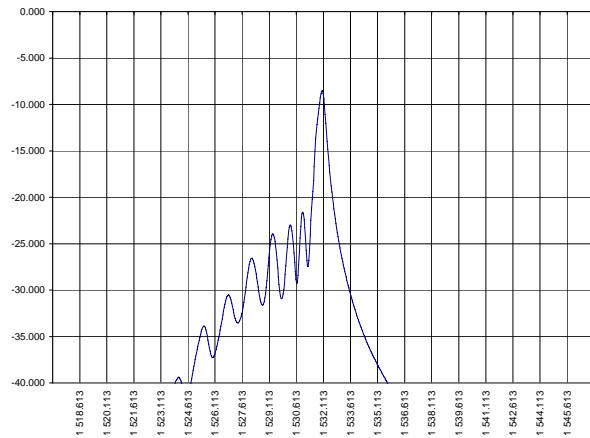
Loaded Q 4000

AEC Design Part Number

A174 - 1532.15M1

PRELIMINARY DATA

Typical performance



Specifications

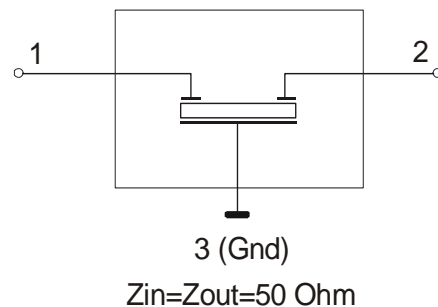
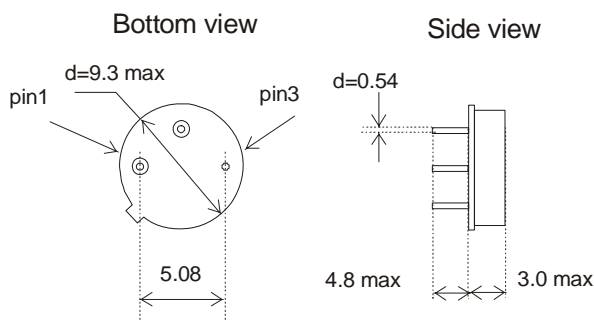
Parameter	Unit	Min	Typ	Max
Central frequency	MHz	1532.00	1532.15	1532.30
Inserted loss (unmatched)	dB	8.0	9.5	12.0
Loaded Q	MHz	3000	4000	6600
Turnover temperature	°C	5	15	25
TCF		-	$56 \times 10^{-9} / ^\circ\text{C}^2$	-
Substrate			36YX Quartz	
Temperature range	°C	-60	22.5	80

Notes:

1. The design, manufacturing process, and specifications of this filter are subject to change.
2. Specification valid for measurements in AEC Design test fixture

Case

Matching



TO39