



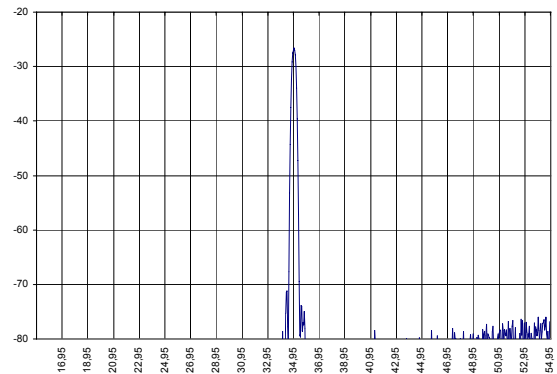
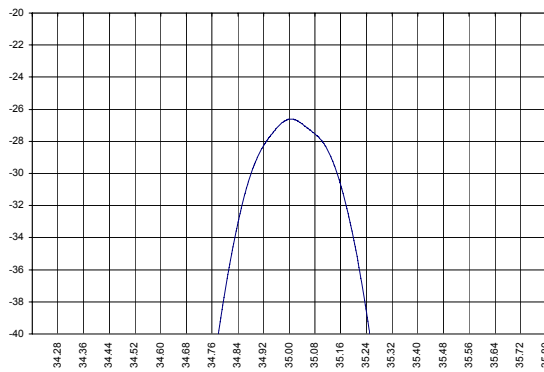
## SAW Filter 35 MHz Filter

Bandwidth 0.34 MHz

AEC Part Number A164-35M1

PRELIMINARY DATA

### Typical performance



### Specifications

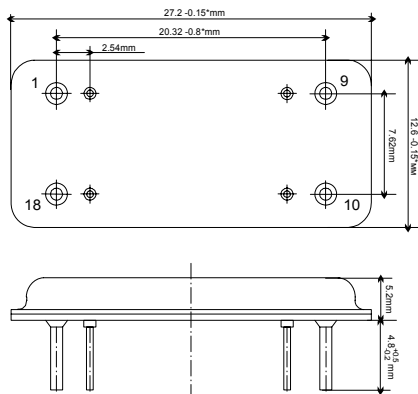
Parameter	Unit	Min	Typ	Max
Central frequency	MHz	34.975	35	35.025
Inserted loss (unmatched)	dB	-	26	26.5
Bandwidth @-3dB	MHz	-	0.34	0.36
Bandwidth @-40dB	MHz	-	0.8	0.85
Amplitude ripple	dB	-	1.0	2.0
Ultimate rejection	dB	-	45	50
Substrate			36 YX quartz	
Temperature range	°C	-55		85

#### Notes:

1. The design, manufacturing process, and specifications of this filter are subject to change.
2. Specification valid for measurements in AEC test fixture

### Case

DIP 18



### Matching

