

SAW 25 MHz Filter

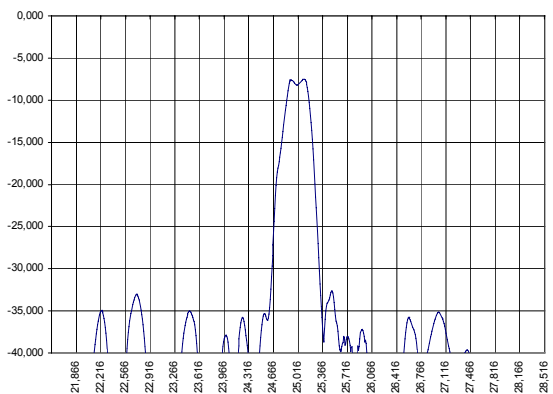
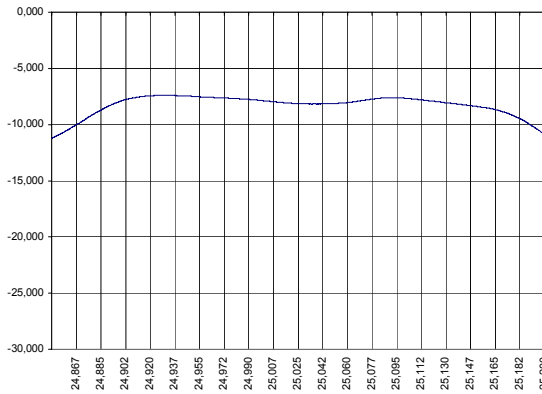
Bandwidth 0.25 MHz

AEC Part Number A109-25M1

Complies with Directive 2002/95/EC (RoHS)

PRELIMINARY DATA

Typical performance



Specifications

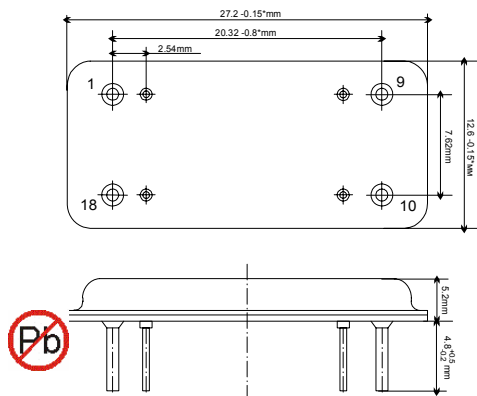
Parameter	Unit	Min	Typ	Max
Central frequency	MHz	24.96	25	25.04
Inserted loss (matched)	dB	-	-7.3	-8.5
Bandwidth @-1.5dB	MHz	0.25	0.27	0.29
Bandwidth @-20dB	MHz	-	0.64	0.70
Amplitude ripple	dB	-	-	1.5
Ultimate rejection	dB	-	-25.0	-
Substrate			128 YX LiNbO3	
Temperature range	°C	-55		85

Notes:

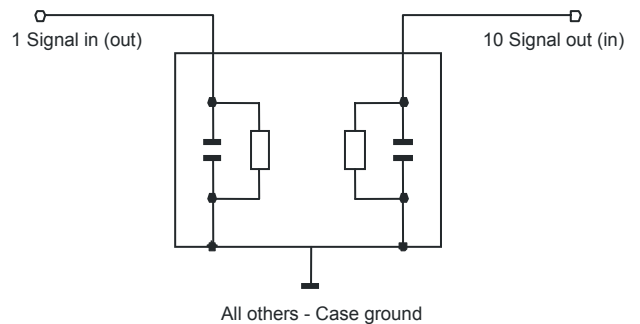
1. The design, manufacturing process, and specifications of this filter are subject to change.
2. Specification valid for measurements in AEC test fixture

Case

DIP 18



Matching



Input/output matching: series capacitor 60 pf and parallel inductor 797 nH at input port, series capacitor 121 pf and parallel inductor 400 nH at output port