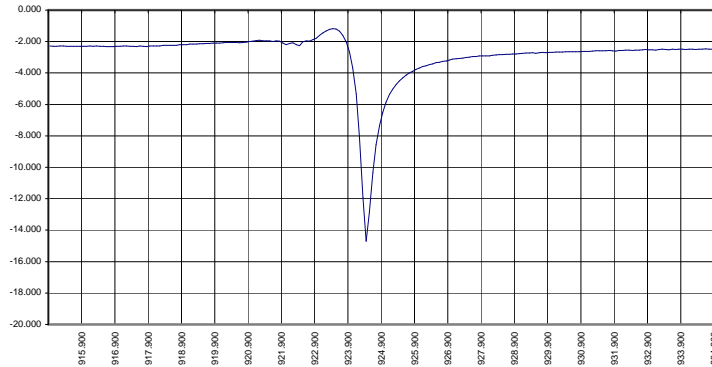


STW Resonator 924 MHz

Part Number A074-924M1

Typical response



Specification

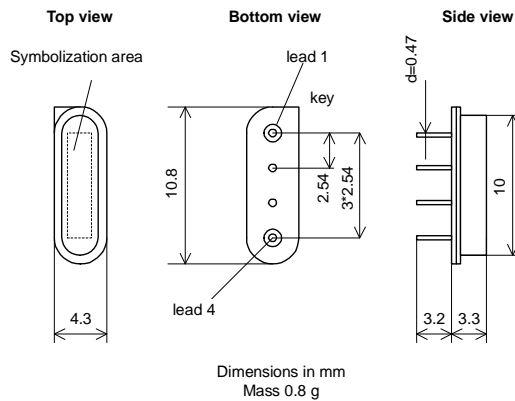
Parameter	Unit	Min	Typ	Max
Center frequency	MHz	923.60	924.00	924.40
Unmatched IL (s21 between 50 Ohm In/Out)	dB	1.5	1.8	2.5
Loaded Q	-	-	2500.0	-
Material	-	-	36YX quartz	-
Temperature range	°C	-40.0		60.0

Notes:

1. The design, manufacturing process, and specifications of this filter are subject to change.
2. Specification valid for measurements in AEC Design test fixture

Case

SIP4M



Matching

