



SAW 68.75 MHz Filter

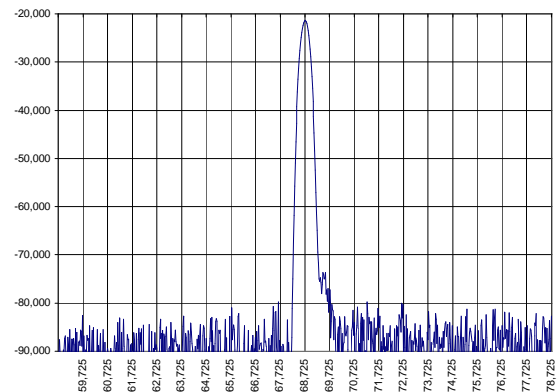
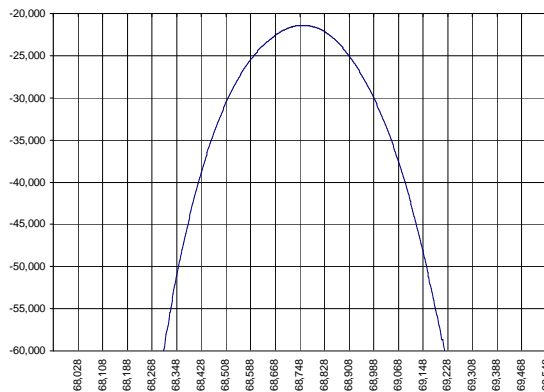
Bandwidth 280 KHz

Part Number A067-68.75M2

Complies with Directive 2002/95/EC (RoHS)

PRELIMINARY DATA

Typical performance



Specifications

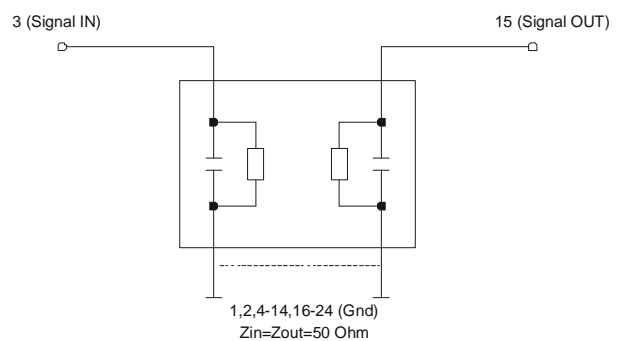
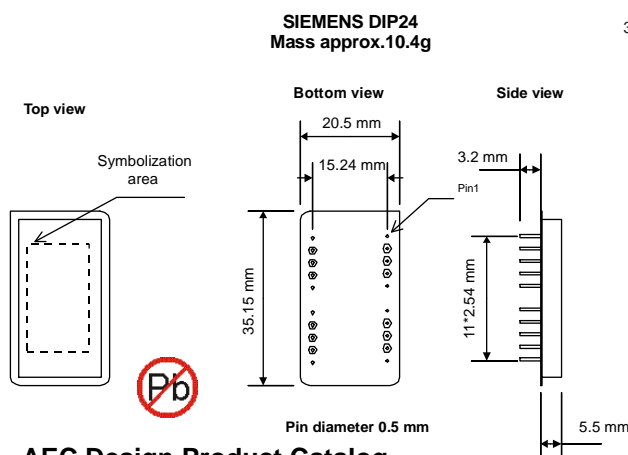
Parameter	Unit	Min	Typ	Max
Central frequency	MHz	68.740	68.750	68.760
Inserted loss (unmatched)	dB	21.5	22	22.5
Bandwidth @-3dB	MHz	0.27	0.28	0.32
Bandwidth @-40dB	MHz	-	0.93	0.96
Ultimate rejection	dB		55	
Substrate			36 YX quartz	
Temperature range	^o C	-40		85

Notes:

1. The design, manufacturing process, and specifications of this filter are subject to change.
2. Specification valid for measurements in AEC Design test fixture

Case

Matching



AEC Design Product Catalog

©2008

<http://www.aec-design.com>