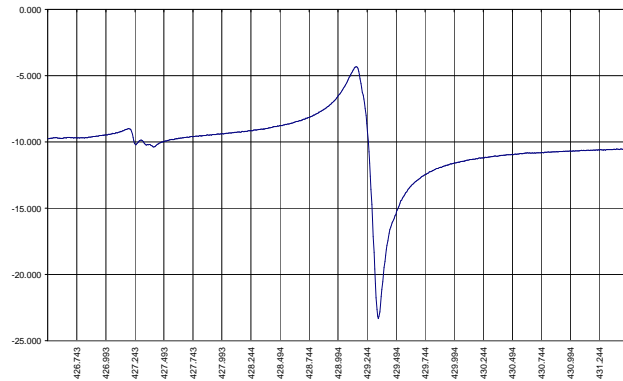


## SAW Resonator 429.5 MHz

Part Number A046-429.5M1

### Typical response



### Specification

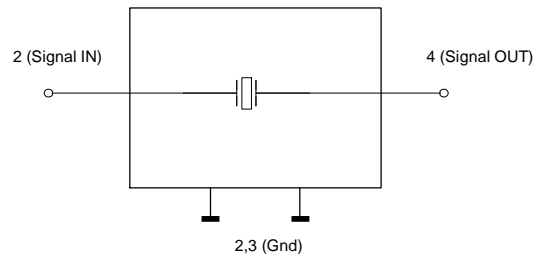
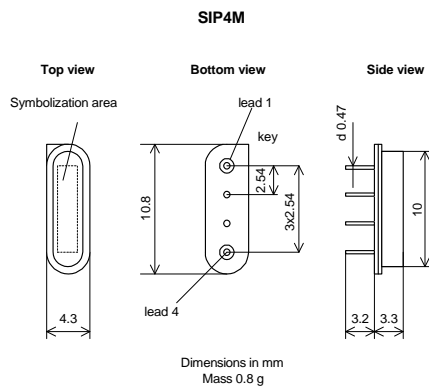
Parameter	Unit	Mn	Typ	Max
Center frequency	MHz	429.40	429.50	429.60
Unmatched IL (s21 between 50 Ohm In/Out )	dB	4.0	4.5	6.0
Loaded Q	-	3000.0	4300.0	-
Material		-	ST quartz	-
Temperature range	°C	-40.0		60.0

#### Notes:

1. The design, manufacturing process, and specifications of this filter are subject to change.
2. Specification valid for measurements in AEC Design test fixture

### Case

### Matching



Zin=Zout=50 Ohm  
No matching required