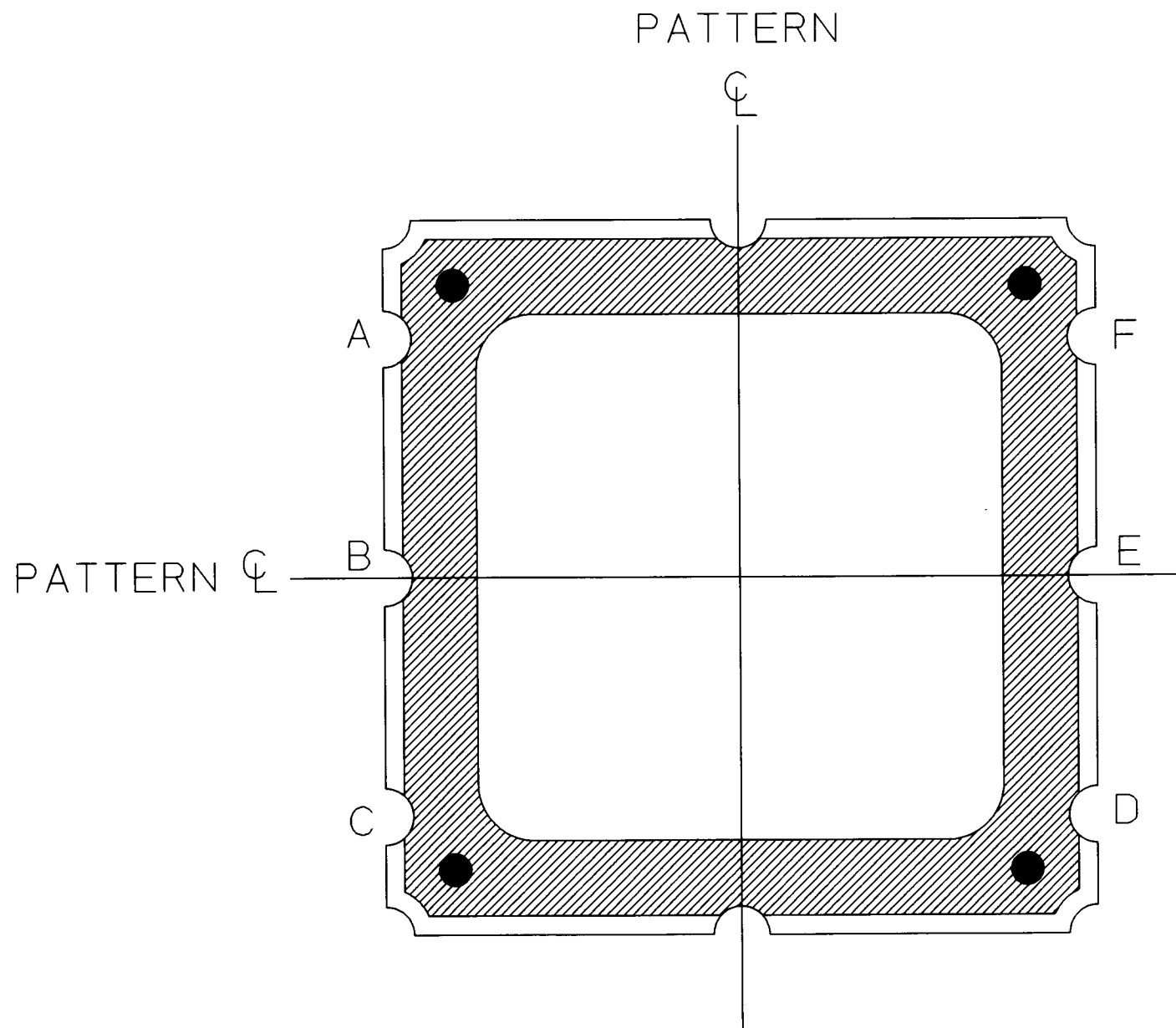


- NOTES:
- PLATING THICKNESS
GOLD: $0.3 \mu\text{m}$ MIN.
(EXCEPT $0.3 \sim 1.0 \mu\text{m}$ AT SOLDER PADS)
NICKEL: $1.27 \sim 8.89 \mu\text{m}$
 - CAMBER: 0.05mm MAX.
 - METALLIZATION RUNDOWN 0.20 MAX.
 - CONNECTION: (1-3-4-6-A-C-D-F-D/A-S/R)
(2-B), (5-E)

VBS03AF050-1

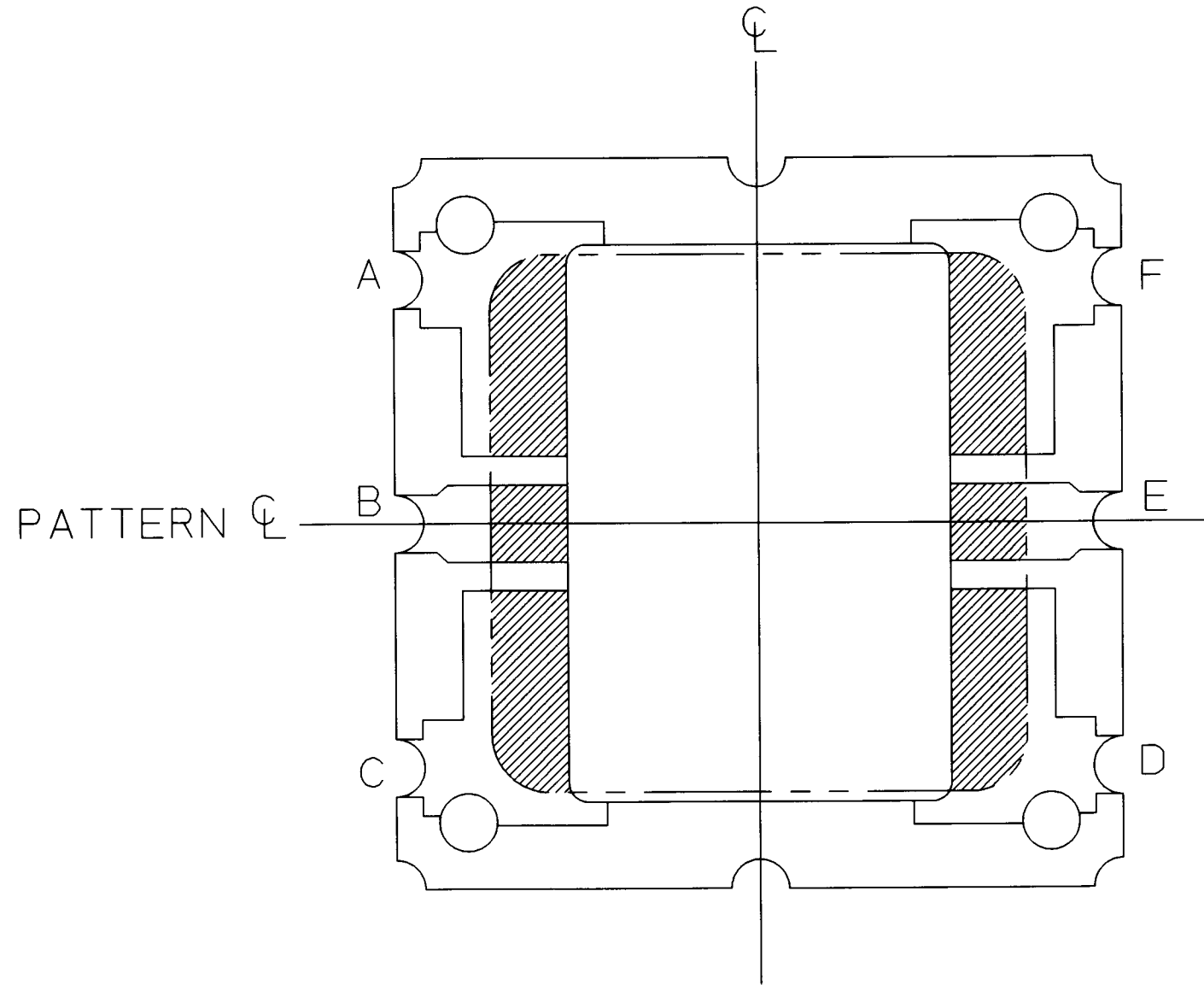
MODIFICATION						NAME	3.8SQ SAW PKG	TOLERANCE	UNLESS OTHERWISE SPECIFIED	DRAWN	CHECKED	APPROVED	DATE	
						SCALE	15 / 1	MATERIAL	AS INDICATED	S.SE	K.N	M.M	T.A	JUN.23.'96
								± 0.20	THIRD ANGLE PROJECTION	S. Seto	K. Naka	T. Atsu		
										DRAWING NO.			SHEET	
	CHANGED		DATE	DRAWN	CHECKED	APPROVED	KYOCERA	KYOCERA CORPORATION	KYOTO JAPAN	KD-V97050			1 / 5	



MP-1

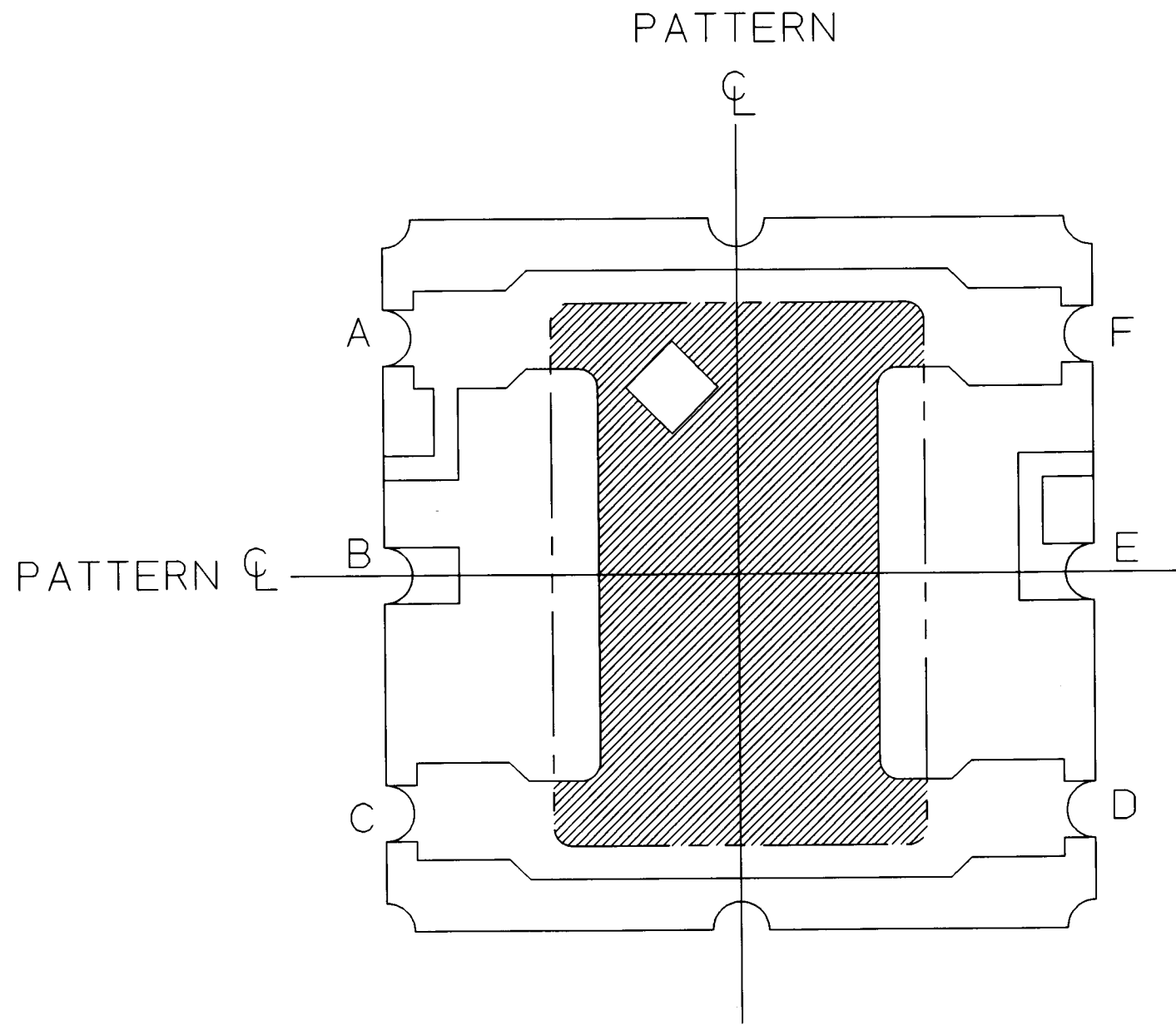
MODIFICATION						NAME	3.85Q PAW PKG	TOLERANCE	DRAWN	CHECKED	APPROVED	DATE
						SCALE	30 / 1	UNLESS OTHERWISE SPECIFIED	S. SE	K.N	T. A	JAN.23.'96
						MATERIAL		THIRD ANGLE PROJECTION	<i>S. Sato</i>	<i>K. Naka</i>	<i>T. Atsu</i>	
	CHANGED	DATE	DRAWN	CHECKED	APPROVED			KYOCERA CORPORATION KYOTO JAPAN	DRAWING NO.		SHEET	
									KD-V97050		2 / 5	

PATTERN



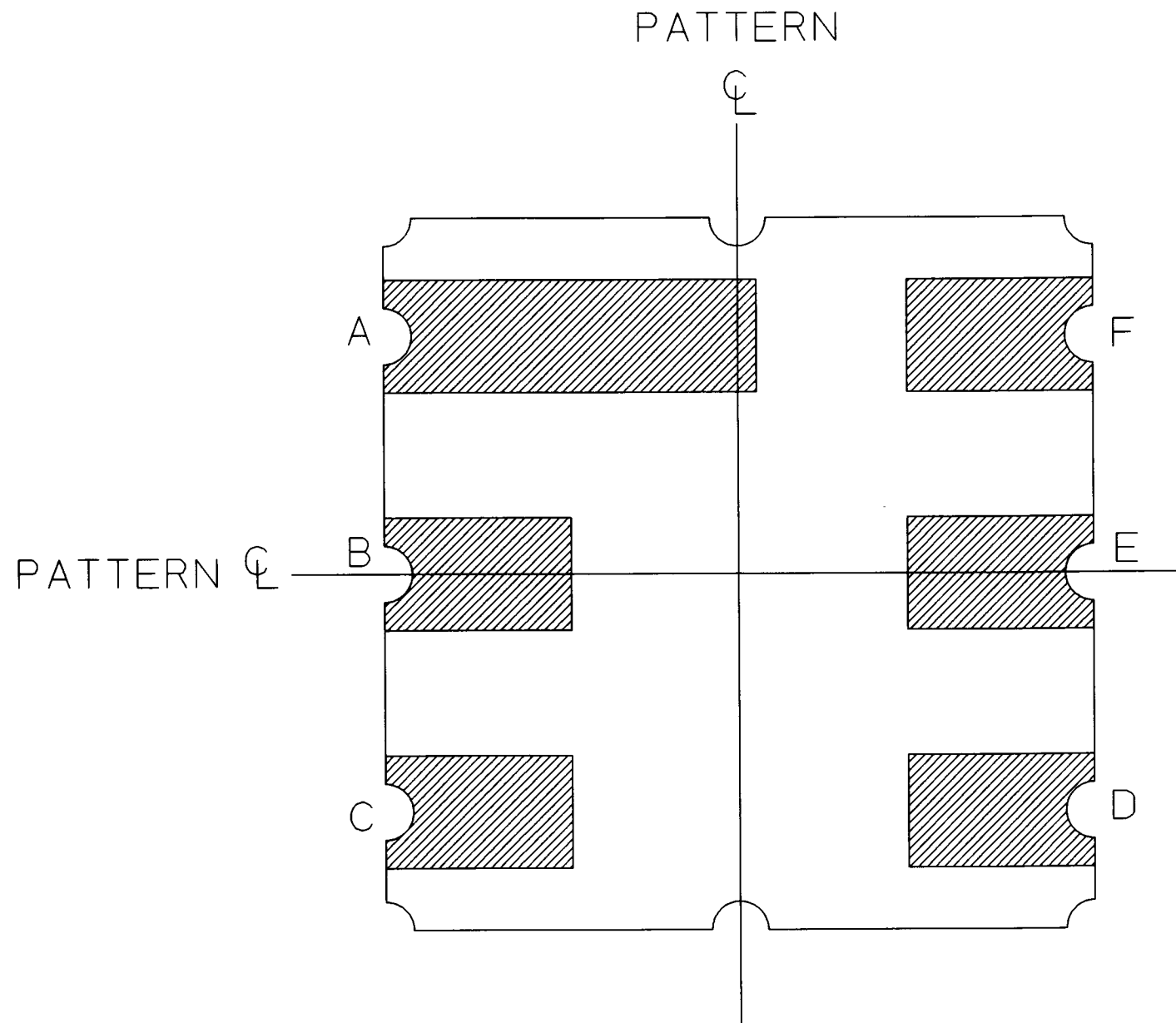
MP-2

MODIFICATION					NAME	3.85Q PAW PKG	TOLERANCE	DRAWN	CHECKED	APPROVED	DATE
					SCALE	30 / 1	UNLESS OTHERWISE SPECIFIED	S. SE	K.N	T. A	JAN.23.'96
					MATERIAL		THIRD ANGLE PROJECTION	<i>S. Seto</i>	<i>K. Naka</i>	<i>T. Atsu</i>	
	CHANGED	DATE	DRAWN	CHECKED	APPROVED		KYOCERA CORPORATION KYOTO JAPAN	DRAWING NO.	KD-V97050		SHEET 3 / 5



MP - 3

MODIFICATION					NAME	TOLERANCE	DRAWN	CHECKED	APPROVED	DATE
					3.85Q PAW PKG	UNLESS OTHERWISE SPECIFIED	S. SE	K. N	T. A	JAN. 23. '96
				SCALE 30 / 1	MATERIAL					
						THIRD ANGLE PROJECTION	S. Seto	K. Naka	T. Aizu	
	CHANGED	DATE	DRAWN	CHECKED	APPROVED					
						KYOCERA	KYOCERA CORPORATION KYOTO JAPAN		DRAWING NO. KD-V97050	SHEET 4 / 5



MP - 4
(TOP VIEW)

MODIFICATION					NAME	TOLERANCE	DRAWN	CHECKED	APPROVED	DATE
					3.85Q PAW PKG	UNLESS OTHERWISE SPECIFIED	S. SE	K.N M.M	T. A	JAN.23.'96
					SCALE 30 / 1	MATERIAL	THIRD ANGLE PROJECTION		S. Seto	K. Naka T. Atsu
					KYOCERA	KYOCERA CORPORATION KYOTO JAPAN	DRAWING NO.		SHEET	
	CHANGED	DATE	DRAWN	CHECKED			APPROVED	KD-V97050		5 / 5